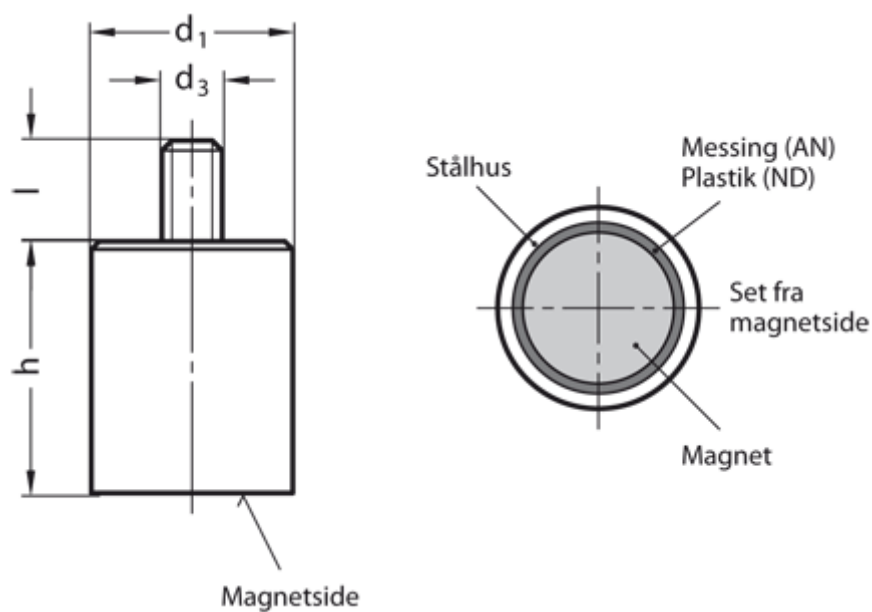


Article number: 201242398

Description: E+G Retaining magnets with threaded stud GN 52.4-ND-16-M4-E
Neodymium, iron, boron - 80° C, 90N

Measures



d_1	= 16
d_3	= M4
h	= $20 \pm 0,2$
Holding force N	= 90.0
l	= 10
Material	= ND Neodym, iron, boron, 80°C